
GARDNER DENVER®

3-1-530
2nd Edition
October, 1997

GD 100T

4" STROKE

TRIPLEX PLUNGER PUMP

MODEL

TDD__B

PARTS LIST

Gardner

Denver

MAINTAIN PUMP RELIABILITY AND PERFORMANCE WITH GENUINE GARDNER DENVER PARTS AND SUPPORT SERVICES

Gardner Denver® and OPI® genuine pump parts are manufactured to original tolerances and designed for optimum dependability. Design and material innovations are the result of years of experience with hundreds of different pump applications. Reliability in materials and quality assurance are incorporated in our genuine replacement parts.

Your authorized Gardner Denver and OPI distributor offers all the backup you'll need. A worldwide network of authorized distributors provides the finest product support in the pump industry.

Your local authorized distributor maintains a large inven-

tory of genuine parts and he is backed up for emergency parts by direct access to the Gardner Denver Machinery Inc. Master Distribution Center (MDC) in Memphis, Tennessee.

Your authorized distributor can support your Gardner Denver and OPI pump needs with trained parts specialists to assist you in selecting the correct replacement parts.

Authorized distributor service technicians are factory-trained and skilled in pump maintenance and repair. They are ready to respond and assist you by providing fast, expert maintenance and repair services.

For the location of your local authorized Gardner Denver and OPI distributor refer to the yellow pages of your phone directory or contact:

Distribution Center:
Gardner Denver Machinery Inc.
Master Distribution Center
5585 East Shelby Drive
Memphis, TN 38141
Phone: (901) 542-6100
Fax: (901) 542-6159

Factory:
Gardner Denver Machinery Inc.
1800 Gardner Expressway
Quincy, IL 62301
Phone: (217) 222-5400
Fax: (217) 224-7814

INSTRUCTIONS FOR ORDERING REPAIR PARTS

When ordering parts, specify Pump MODEL and SERIAL NUMBER (see nameplate on unit). The Serial Number is also stamped on top of the cylinder end of the frame (cradle area).

All orders for Parts should be placed with the nearest authorized distributor.

Where NOT specified, quantity of parts required per pump or unit is one (1); where more than one is required

per unit, quantity is indicated in parenthesis. **SPECIFY EXACTLY THE NUMBER OF PARTS REQUIRED.**

DO NOT ORDER BY SETS OR GROUPS.

To determine the Right Hand and Left Hand side of a pump, stand at the power end. Right Hand and Left Hand are indicated in parenthesis following the part name, i.e. (RH) & (LH), when appropriate.

For Operating and Service Instructions see:

SERVICE MANUAL 3-1-614

TABLE OF CONTENTS

	Page
Maintain Pump Reliability and Performance with Genuine Gardner Denver Parts And Support Services	1
Instructions For Ordering Repair Parts	1
Matrix/Menu	3
Power End	4, 5
Low Pressure Cast Aluminum Bronze Fluid Cylinder	6, 7
Medium Pressure Cast Aluminum Bronze Fluid Cylinder	8, 9
Low Pressure Cast Steel Fluid Cylinder	10, 11
Stuffing Box, Plunger & Plunger Packing (838 Style) Low Pressure Cast Aluminum Bronze Fluid Cylinder	12
Stuffing Box, Plunger & Plunger Packing (242 Style) Low Pressure Cast Aluminum Bronze Fluid Cylinder	13
Stuffing Box, Plunger & Plunger Packing (838 Style) Medium Pressure Cast Aluminum Bronze Fluid Cylinder ...	14
Stuffing Box, Plunger & Plunger Packing (242 Style) Medium Pressure Cast Aluminum Bronze Fluid Cylinder ...	15
Stuffing Box, Plunger & Plunger Packing (838 Style) Low Pressure Cast Steel Fluid Cylinder	16
Stuffing Box, Plunger & Plunger Packing (242 Style) Low Pressure Cast Steel Fluid Cylinder	17
Delrin Plate Valves For Low Pressure Cast Aluminum Bronze & Cast Steel Fluid Cylinders	18
Delrin Plate Valves For Medium Pressure Cast Aluminum Bronze Fluid Cylinders	19
Stainless Steel Severe Duty Suction Valve for Low & Medium Pressure Cast Alum. Bronze Fluid Cylinders ..	20, 21
Stainless Steel Severe Duty Disch. Valve for Low & Medium Pressure Cast Alum. Bronze Fluid Cylinders ...	20, 21
Valve Seat – Puller Rod Assembly	22, 23
Puller Heads – Delrin Plate Type Valves	22, 23
Puller Heads – Severe Duty Valves	24, 25
Valve Cage Removal/Installation Tools	24, 25
Valve Seat Driver Tools – Severe Duty Valves	24, 25
Lubricator & Drive Assembly (Optional Equipment)	26

MATRIX/MENU
TRIPLEX PLUNGER PUMP – 4” STROKE – MODEL TDD
TWELVE (12) CHARACTER MODEL DESIGNATIONS

NOTICE TO CUSTOMER – To find the construction options for your pump unit, FILL IN THE BALANCE OF LETTERS OR NUMBERS FROM YOUR UNIT NAMEPLATE

T	D	D			B						
1	2	3	4	5	6	7	8	9	10	11	12

COLUMN NUMBER:

FOLLOW THE LINE DOWN AND OVER FROM EACH SPACE THUS FILLED IN TO FIND THE APPROPRIATE CONSTRUCTION OPTION WITH WHICH YOUR MACHINE IS EQUIPPED. THE NUMBER "9" IN ANY COLUMN SPACE INDICATES "NOT APPLICABLE." THE NUMBER "8" IN ANY COLUMN SPACE INDICATES SPECIAL DESIGN – REFER TO FACTORY ORDER TICKET.

COLUMNS 1, 2 & 3 – BASIC FAMILY
 Triplex Plunger Pump – 4” Stroke – 100 HP

COLUMN 4 – TYPE OF SERVICE, TYPE & MAXIMUM SIZE FLUID END, CONSTRUCTION

- A. General Service – Low Pressure Cast Aluminum Bronze – 3-1/2” Maximum Plunger and Packing
- B. General Service – Medium Pressure Cast Aluminum Bronze – 2-1/2” Maximum Plunger and Packing
- C. Hydrocarbon Service – Low Pressure Cast Steel 3-1/2” Maximum Plunger and Packing

COLUMN 5 – PLUNGER SIZE SELECTIVE

- A. 3-1/2” Low Pressure Only
- B. 3-1/4” Low Pressure Only
- C. 3” Low Pressure Only
- D. 2-3/4” Low Pressure Only
- E. 2-1/2” Low & Medium Pressure
- F. 2-1/4” Medium Pressure Only
- G. 2” Medium Pressure Only
- H. 1-3/4” Medium Pressure Only

COLUMN 6 – ENGINEERING SPECIFICATION

COLUMN 7 – STUFFING BOX MATERIAL SELECTIVE

- A. Bronze with Lube Hole
- B. Bronze without Lube Hole
- C. Steel with Lube Hole
- D. Steel without Lube Hole

COLUMN 8 – PLUNGER MATERIAL SELECTIVE

- A. Colmonoy
- B. Ceramic
- C. Tungsten Carbide

COLUMN 9 – PACKING SELECTIVE

- A. Style 838 – Non-Adjustable (Standard)
- C. Style 242 – Kevlar

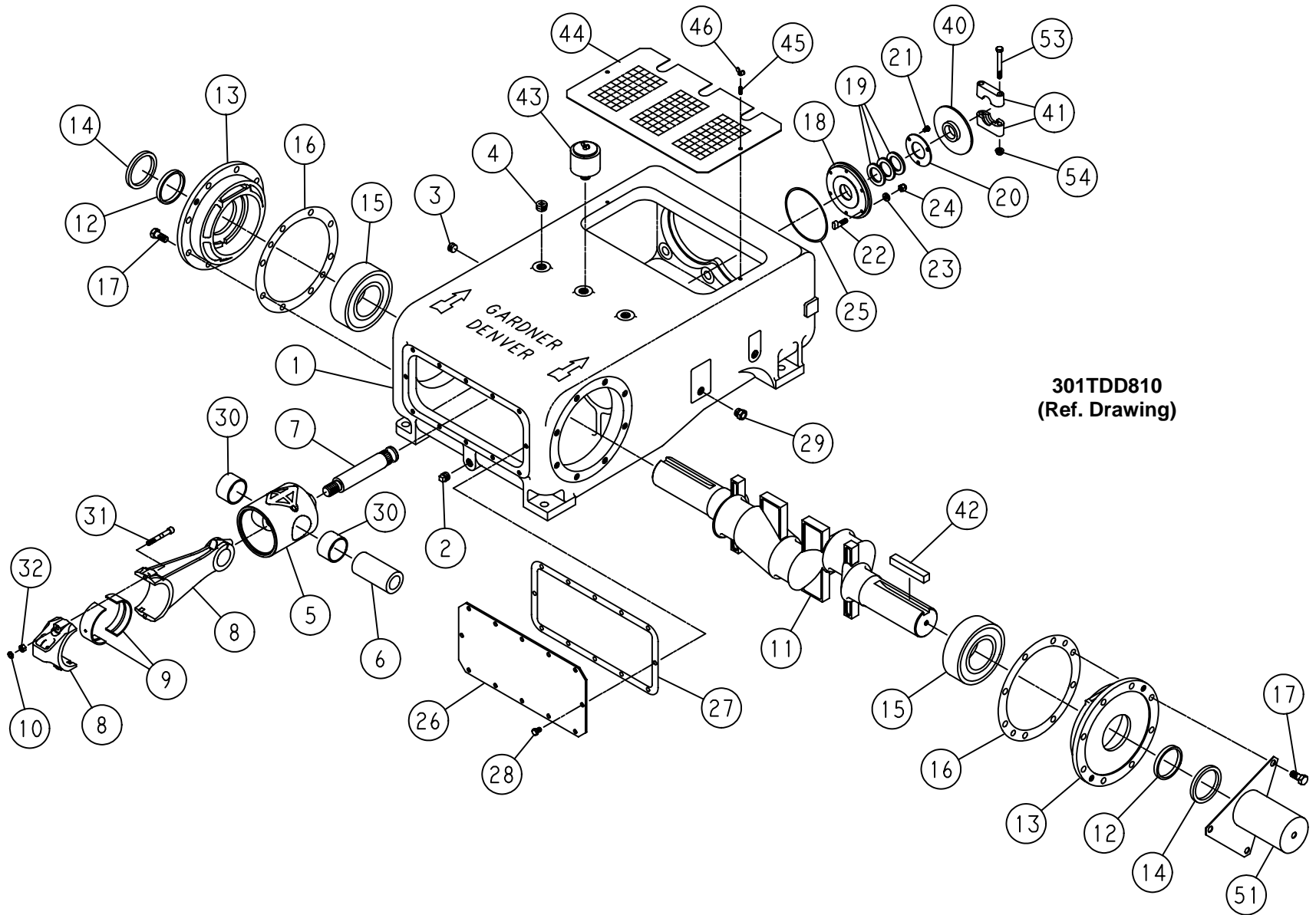
COLUMN 10 – FLUID VALVE SELECTIVE (SUCTION & DISCHARGE)

- A. Bronze – Delrin Plate Type (Standard)
- B. Stainless Steel – Delrin Plate Type
- C. Monel – Delrin Plate Type
- D. Stainless Steel – Severe Duty with Insert
- E. Stainless Steel – Titanium Plate Type

COLUMN 11 – FLUID END PACKING LUBRICATOR SELECTIVE

COLUMN 12 – OPTIONAL EQUIPMENT SELECTIVE

POWER END



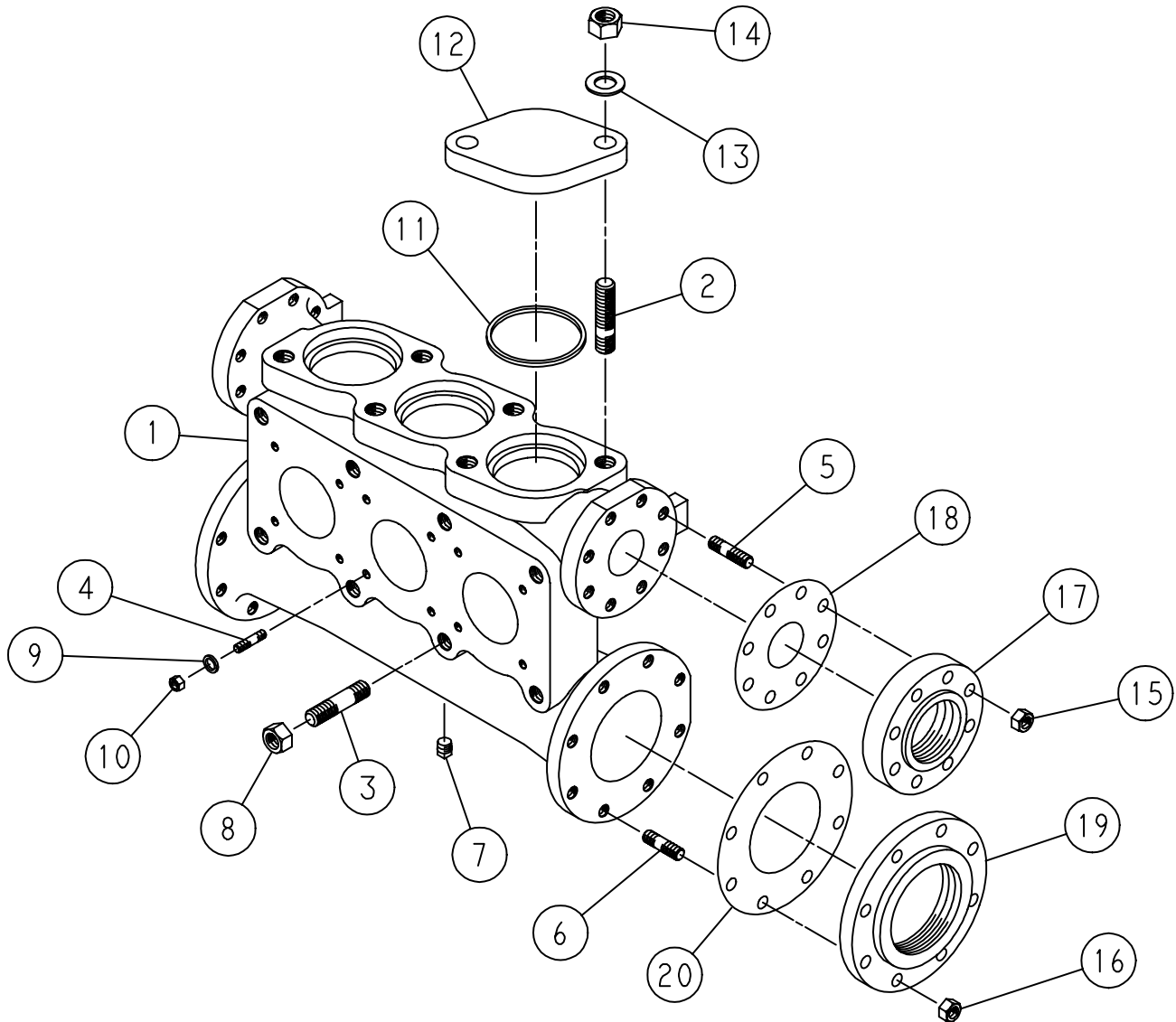
301TDD810
(Ref. Drawing)

POWER END

Ref. No.	Name of Part	Qty.	Part No.	Ref. No.	Name of Part	Qty.	Part No.
1	FRAME (POWER END)	1	200TDD001	25	GASKET RING	3	25C2368
2	PLUG	1	64AA3	26	PLATE-INSPECTION	1	TA4842
3	PLUG	1	64B3	27	GASKET	1	TA4715
4	PLUG	2	64B4	28	SCREW	12	655EE030
5	CROSSHEAD, Includes Reference Number 30	3	200TAD005	29	GAUGE	1	8501275
6	PIN-CROSSHEAD	3	200TAD189	30	BUSHING	6	200TAD229
7	ROD-EXTENSION	3	200TDD839	31	CONNECTING ROD BOLT	6	2005821
8	CONNECTING ROD WITH SCOOP Includes Ref. Numbers 31 & 32 .	3	200TDD003	32	NUT-CONNECTING ROD BOLT .	6	50AQ26
9	BEARING	6	200TDD174	40	BAFFLE	3	200TAE840
10	NUT	6	50M11	41	COUPLING-PLUNGER, Includes Reference numbers 53 & 54 ...	3	201TAE092A
11	CRANKSHAFT	1	200TAD004	42	KEY	1	35B273
12	SLEEVE-WEAR	2	80L1	43	BREATHER	1	200VQC034
13	HOUSING-BEARING	2	TA4366	44	PLATE-INSPECTION (Standard) .	1	201TDD052
14	SEAL-OIL	2	60G4		PLATE-INSPECTION-HINGED (Optional)	1	300TDD225
15	BEARING-ROLLER	2	12C90	45	STUD, use with Standard Inspection Plate	2	79A466
16	SHIM	1	200TAD732	46	NUT, use with Standard Inspection Plate	2	50H1
17	SCREW	16	655EG070	51	COVER-SHAFT EXTENSION	1	TA4850
18	HEAD-OIL STOP	3	200TDD051	53	SCREW (See Ref. Number 41) ...	6	655EE175S
19	PACKING	3	60DD99	54	NUT (See Ref. Number 41)	6	50AW35
20	PLATE-RETAINER	3	200TDD168		* SCREW, use with Optional Hinged Inspection Plate	6	75G2
21	SCREW	9	655ED03N				
22	SCREW	9	200TDD655				
23	GASKET-RING	9	25A5N				
24	LOCKNUT	9	50V48				

* Not shown.

LOW PRESSURE CAST ALUMINUM BRONZE FLUID CYLINDER



200TDD810-B
(Ref. Drawing)

Order by Part Number and Description. Reference Numbers are for your convenience only.

LOW PRESSURE CAST ALUMINUM BRONZE FLUID CYLINDER

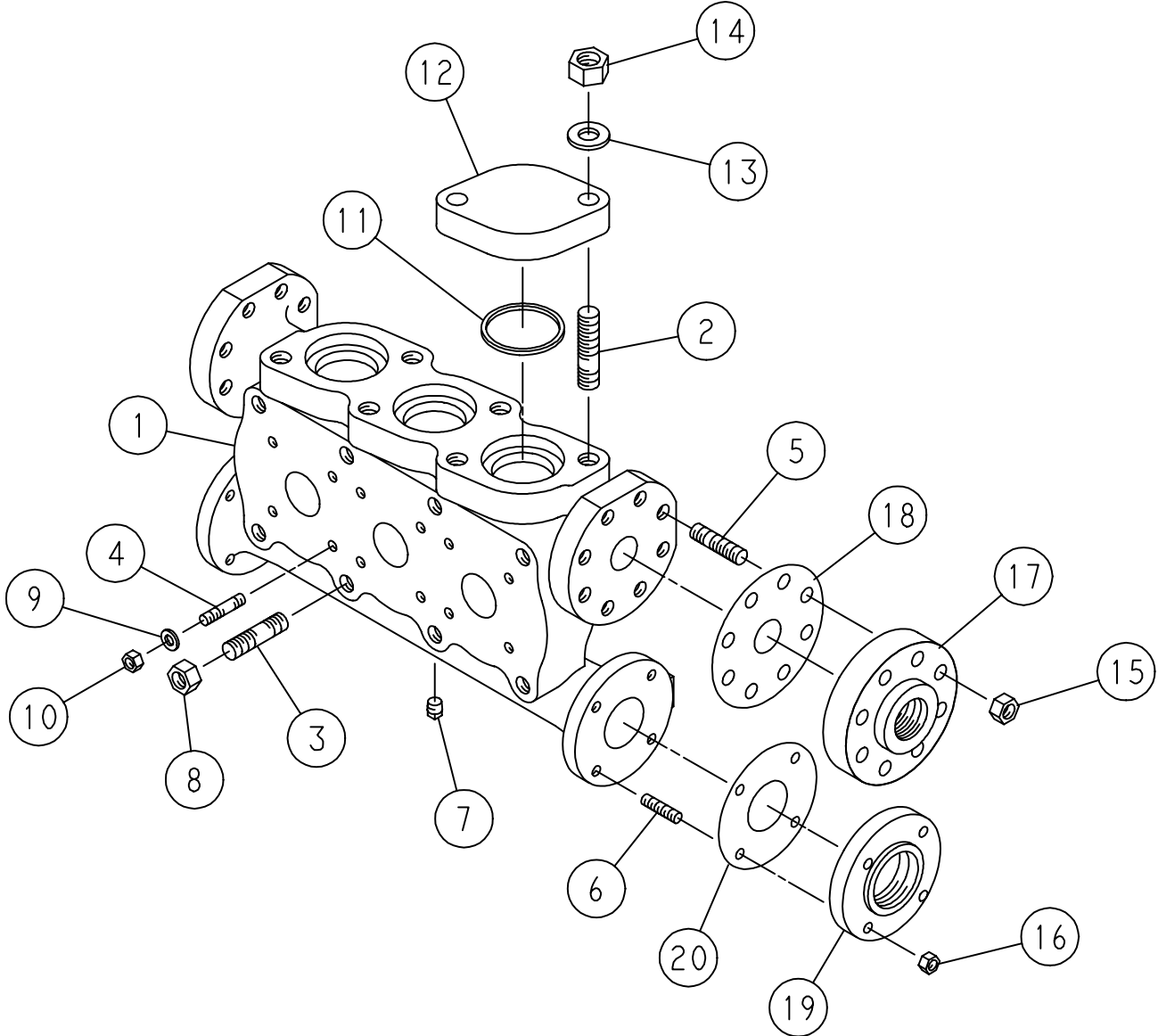
Ref. No.	Name of Part	Qty.	TDDA Part No.
	FLUID CYLINDER ASSEMBLY (Includes Ref. Nos. 1 thru 16)	1	TDD91018
1	FLUID CYLINDER (Includes Ref. Nos. 2 thru 7)	1	200TDD029
2	STUD-VALVE COVER	6	205TAE110
3	STUD-FLUID CYLINDER TO FRAME	8	200TDD110
4 *	STUFFING BOX TO CYLINDER STUD OPTIONS		
	STANDARD (ALLOY STEEL)	12	201TDD110
	OPTIONAL (STAINLESS STEEL)	12	202TDD110
5	STUD-DISCHARGE FLANGE	16	79L4
6	STUD-SUCTION FLANGE	16	79L54
7	PLUG-SUCTION MANIFOLD - BRASS	3	64AJ17
8	NUT-FLUID CYLINDER TO FRAME	8	50B34
9	WASHER-STUFFING BOX STUD	12	95U7
10	NUT-STUFFING BOX STUD	12	50AQ28
11	GASKET-VALVE COVER	3	107986
12	VALVE COVER	3	206TDE147
13	WASHER-VALVE COVER STUD	6	95U11
14	NUT-VALVE COVER STUD	6	50B35
15	NUT-DISCHARGE FLANGE STUD	16	50B8
16	NUT-SUCTION FLANGE STUD	16	50B7

OPTIONAL EQUIPMENT

17	DISCHARGE FLANGE - 3" - 600# Threaded	2	64CE6
18	GASKET-DISCHARGE FLANGE	2	25C823N
19	SUCTION FLANGE - 4"-150# Threaded	2	64CA11
20	GASKET-SUCTION FLANGE	2	25C121N

* Fluid cylinders are furnished with standard steel studs installed. Stainless steel studs may be installed by the customer.

MEDIUM PRESSURE CAST ALUMINUM BRONZE FLUID CYLINDER



302TDD810
(Ref. Drawing)

Order by Part Number and Description. Reference Numbers are for your convenience only.

MEDIUM PRESSURE CAST ALUMINUM BRONZE FLUID CYLINDER

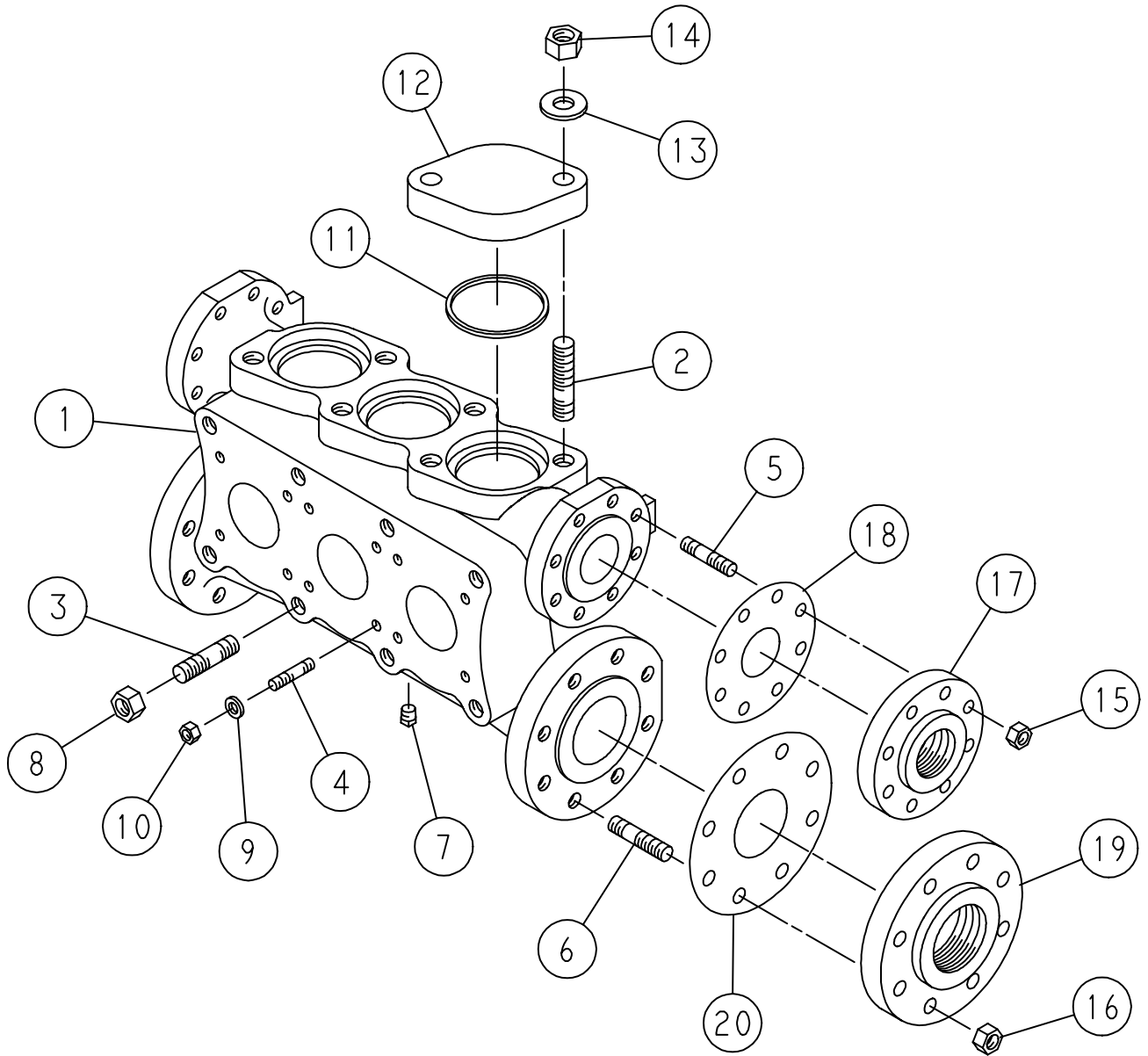
Ref. No.	Name of Part	Qty.	TDDB Part No.
	FLUID CYLINDER ASSEMBLY (Includes Ref. Nos. 1 thru 16)	1	TDD91019
1	FLUID CYLINDER (Includes Ref. Nos. 2 thru 7)	1	201TDD029
2	STUD-VALVE COVER	6	205TAE110
3	STUD-FLUID CYLINDER TO FRAME	8	200TDD110
4 *	STUFFING BOX TO CYLINDER STUD OPTIONS		
	STANDARD (ALLOY STEEL)	12	201TDD110
	OPTIONAL (STAINLESS STEEL)	12	202TDD110
5	STUD-DISCHARGE FLANGE	16	79L71
6	STUD-SUCTION FLANGE	8	79L54
7	PLUG-SUCTION MANIFOLD - BRASS	3	64AJ17
8	NUT-FLUID CYLINDER TO FRAME	8	50B34
9	WASHER-STUFFING BOX STUD	12	95U7
10	NUT-STUFFING BOX STUD	12	50AQ28
11	GASKET-VALVE COVER	3	124642
12	VALVE COVER	3	204QBX147
13	WASHER-VALVE COVER STUD	6	95U11
14	NUT-VALVE COVER STUD	6	50B35
15	NUT-DISCHARGE FLANGE STUD	16	50B9
16	NUT-SUCTION FLANGE STUD	8	50B7

OPTIONAL EQUIPMENT

17	DISCHARGE FLANGE - 2" - 1500# Threaded	2	64CG4
18	GASKET-DISCHARGE FLANGE	2	25C1709N
19	SUCTION FLANGE - 3"-150# Threaded	2	64CA9
20	GASKET-SUCTION FLANGE	2	25C802

* Fluid cylinders are furnished with standard steel studs installed. Stainless steel studs may be installed by the customer.

LOW PRESSURE CAST STEEL FLUID CYLINDER



303TDD810
(Ref. Drawing)

Order by Part Number and Description. Reference Numbers are for your convenience only.

LOW PRESSURE CAST STEEL FLUID CYLINDER

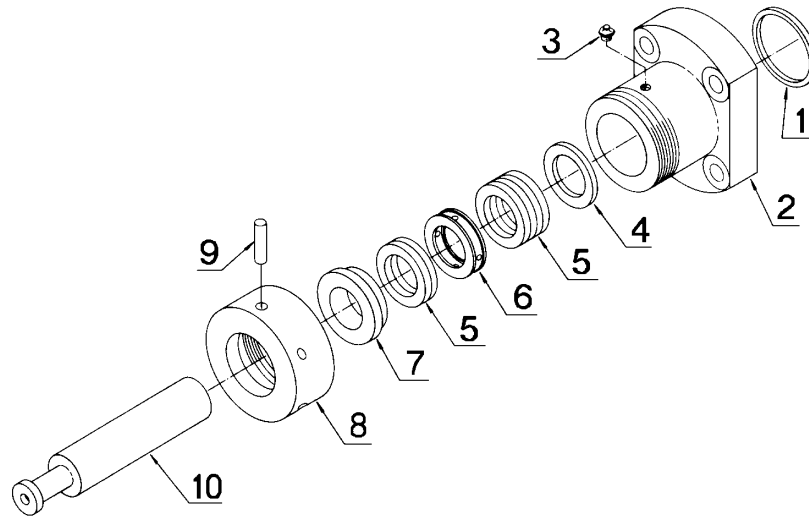
Ref. No.	Name of Part	Qty.	TDDC Part No.
	FLUID CYLINDER ASSEMBLY (Includes Ref. Nos. 1 thru 16)	1	200TDD4042
1	FLUID CYLINDER (Includes Ref. Nos. 2 thru 7)	1	202TDD029
2	STUD-VALVE COVER	6	205TAE110
3	STUD-FLUID CYLINDER TO FRAME	8	200TDD110
4 *	STUFFING BOX TO CYLINDER STUD OPTIONS		
	STANDARD (ALLOY STEEL)	12	201TDD110
	OPTIONAL (STAINLESS STEEL)	12	202TDD110
5	STUD-DISCHARGE FLANGE	16	79L24
6	STUD-SUCTION FLANGE	16	79L47
7	PLUG-SUCTION MANIFOLD - BRASS	3	64AJ17
8	NUT-FLUID CYLINDER TO FRAME	8	50B34
9	WASHER-STUFFING BOX STUD	12	95U7
10	NUT-STUFFING BOX STUD	12	50AQ28
11	GASKET-VALVE COVER	3	107986
12	VALVE COVER	3	205TDE147
13	WASHER-VALVE COVER STUD	6	95U11
14	NUT-VALVE COVER STUD	6	50B35
15	NUT-DISCHARGE FLANGE STUD	16	50B8
16	NUT-SUCTION FLANGE STUD	16	50B9

OPTIONAL EQUIPMENT

17	DISCHARGE FLANGE - 3" - 600# Threaded	2	64CE6
18	GASKET-DISCHARGE FLANGE	2	25C823N
19	SUCTION FLANGE - 4"-600# Threaded	2	64CE8
20	GASKET-SUCTION FLANGE	2	25BC161

* Fluid cylinders are furnished with standard steel studs installed. Stainless steel studs may be installed by the customer.

Order by Part Number and Description. Reference Numbers are for your convenience only.

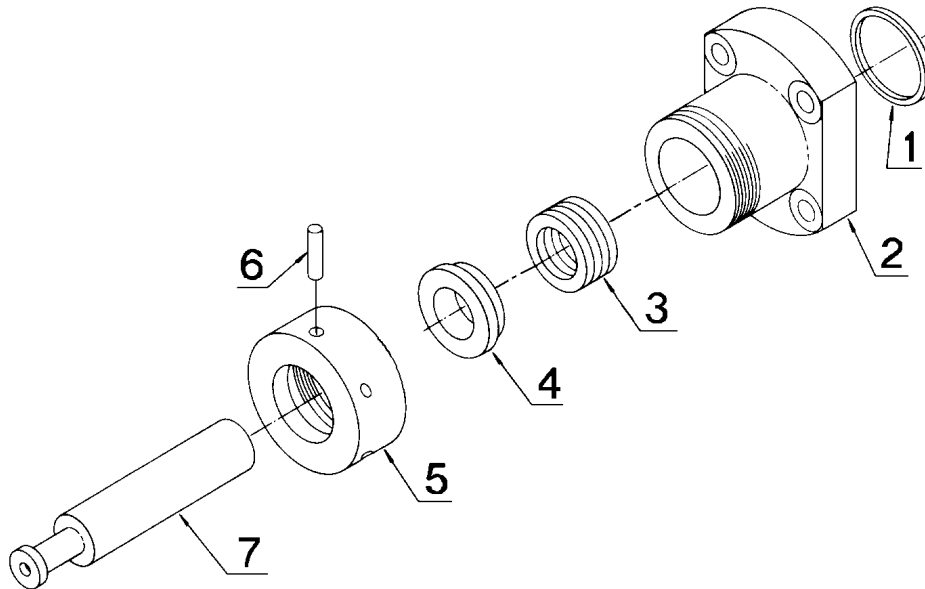


**STUFFING BOX, PLUNGER & PLUNGER PACKING (838 STYLE)
(For Low Pressure Cast Aluminum Bronze Fluid Cylinder)**

Ref. No.	Name of Part	Qty.	MODEL TDDA_B		
			3-1/2" Part No.	3-1/4" Part No.	3" Part No.
1	GASKET, Stuffing Box	3	25AL57	25AL57	25AL57
2	STUFFING BOX (Includes Ref. No. 3)	3	210TDD014	211TDD014	211TDD014
3	LUBRICATION FITTING	3	40E7	40E7	40E7
4	PACKING ASSEMBLY (Incl. Ref. Nos. 4 - 7)	3	PT160035	PT160032	PT160030
4	JUNK RING	3	PT31735	PT31732	PT31730
5	PACKING (838 Style)	3	60BU124	60BU125	60BU126
6	LANTERN SPACER	3	PT44535	PT44532	PT44530
7	BUSHING-GLAND	3	PT15235	PT15232	PT15230
8	GLAND	3	TA4113	TA4113	TA4113
9	PIN, Stuffing Box Gland	3	62L45	62L45	62L45
10	PLUNGER (Colomony)	3	10TA538	30TA538	31TA538
10	PLUNGER (Ceramic)	3	2TA538	26TA538	27TA538
10	PLUNGER (Tungsten Carbide)	3	203TFE038	204TFE038	205TFE038

Ref. No.	Name of Part	Qty.	MODEL TDDA_B	
			2-3/4" Part No.	2-1/2" Part No.
1	GASKET, Stuffing Box	3	25AL57	25AL57
2	STUFFING BOX (Includes Ref. No. 3)	3	212TDD014	212TDD014
3	LUBRICATION FITTING	3	40E7	40E7
4	PACKING ASSEMBLY (Incl. Ref. Nos. 4 - 7)	3	PT160027	PT160025
4	JUNK RING	3	PS31727	PS31725
5	PACKING (838 Style)	3	60BU100	60BU101
6	LANTERN SPACER	3	PS44527	PS44525
7	BUSHING-GLAND	3	PT15227	PT15225
8	GLAND	3	TA4113	TA4113
9	PIN, Stuffing Box Gland	3	62L45	62L45
10	PLUNGER (Colomony)	3	11TA538	12TA538
10	PLUNGER (Ceramic)	3	3TA538	4TA538
10	PLUNGER (Tungsten Carbide)	3	206TFE038	207TFE038

Order by Part Number and Description. Reference Numbers are for your convenience only.

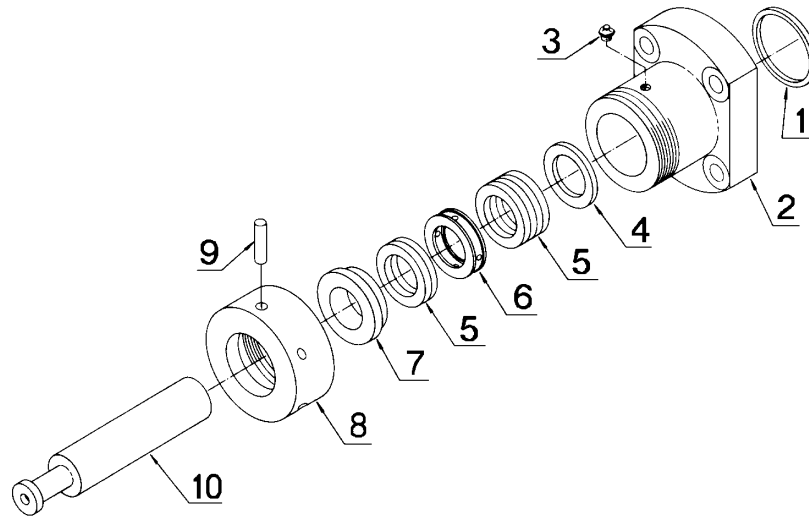


STUFFING BOX, PLUNGER & PLUNGER PACKING (242 STYLE)
(For Low Pressure Cast Aluminum Bronze Fluid Cylinder)

Ref. No.	Name of Part	Qty.	MODEL TDDA_B		
			3-1/2" Part No.	3-1/4" Part No.	3" Part No.
1	GASKET, Stuffing Box	3	25AL57	25AL57	25AL57
2	STUFFING BOX	3	300TDD014	301TDD014	301TDD014
	PACKING ASSEMBLY (Incl. Ref. Nos. 3 & 4)	3	203TAE4060	300TDD4060	301TDD4060
3	PACKING (242 Style)	3	60DD729	60DD730	60DD731
4	BUSHING-GLAND	3	PX15235	PT15232	PT15230
5	GLAND	3	TA4113	TA4113	TA4113
6	PIN, Stuffing Box Gland	3	62L45	62L45	62L45
7	PLUNGER (Colomony)	3	10TA538	30TA538	31TA538
7	PLUNGER (Ceramic)	3	2TA538	26TA538	27TA538
7	PLUNGER (Tungsten Carbide)	3	203TFE038	204TFE038	205TFE038

Ref. No.	Name of Part	Qty.	MODEL TDDA_B	
			2-3/4" Part No.	2-1/2" Part No.
1	GASKET, Stuffing Box	3	25AL57	25AL57
2	STUFFING BOX (Includes Ref. No. 3)	3	302TDD014	302TDD014
	PACKING ASSEMBLY (Incl. Ref. Nos. 3 & 4)	3	302TDD4060	303TDD4060
3	PACKING (242 Style)	3	60DD670	60DD642
4	BUSHING-GLAND	3	PT15227	PT15225
5	GLAND	3	TA4113	TA4113
6	PIN, Stuffing Box Gland	3	62L45	62L45
7	PLUNGER (Colomony)	3	11TA538	12TA538
7	PLUNGER (Ceramic)	3	3TA538	4TA538
7	PLUNGER (Tungsten Carbide)	3	206TFE038	207TFE038

Order by Part Number and Description. Reference Numbers are for your convenience only.

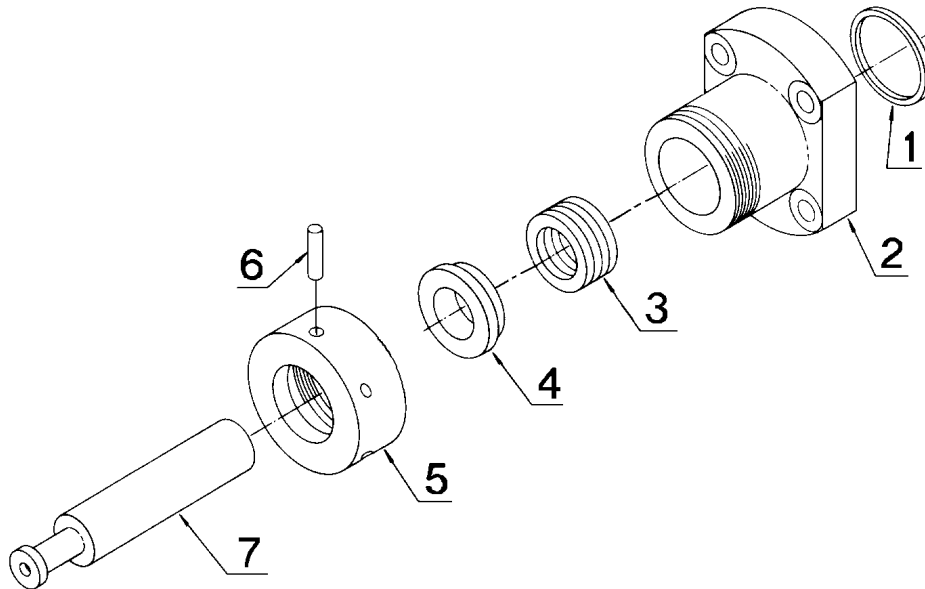


**STUFFING BOX, PLUNGER & PLUNGER PACKING (838 STYLE)
(For Medium Pressure Cast Aluminum Bronze Fluid Cylinder)**

Ref. No.	Name of Part	Qty.	MODEL TDDB_B		
			2-1/2" Part No.	2-1/4" Part No.	2" Part No.
1	GASKET, Stuffing Box	3	25AL39	25AL39	25AL39
2	STUFFING BOX (Includes Ref. No. 3)	3	213TDD014	213TDD014	214TDD014
3	LUBRICATION FITTING	3	40E7	40E7	40E7
4	PACKING ASSEMBLY (Incl. Ref. Nos. 4 - 7)	3	200TDD4020	201TDD4020	202TDD4020
4	JUNK RING	3	200TDD317	201TDD317	202TDD317
5	PACKING (838 Style)	3	60DD648	60DD649	60BU30
6	LANTERN SPACER	3	200TDD445	201TDD445	202TDD445
7	BUSHING-GLAND	3	200TDD152	201TDD152	202TDD152
8	GLAND	3	PS113	PS113	PS113
9	PIN, Stuffing Box Gland	3	62L45	62L45	62L45
10	PLUNGER (Colomony)	3	12TA538	13TA538	14TA538
10	PLUNGER (Ceramic)	3	4TA538	5TA538	6TA538
10	PLUNGER (Tungsten Carbide)	3	207TFE038	208TFE038	209TFE038

Ref. No.	Name of Part	Qty.	MODEL TDDB_B
			1-3/4" Part No.
1	GASKET, Stuffing Box	3	25AL39
2	STUFFING BOX (Includes Ref. No. 3)	3	214TDD014
3	LUBRICATION FITTING	3	40E7
4	PACKING ASSEMBLY (Incl. Ref. Nos. 4 - 7)	3	203TDD4020
4	JUNK RING	3	203TDD317
5	PACKING (838 Style)	3	60DD650
6	LANTERN SPACER	3	203TDD445
7	BUSHING-GLAND	3	203TDD152
8	GLAND	3	PS113
9	PIN, Stuffing Box Gland	3	62L45
10	PLUNGER (Colomony)	3	15TA538
10	PLUNGER (Ceramic)	3	7TA538
10	PLUNGER (Tungsten Carbide)	3	210TFE038

Order by Part Number and Description. Reference Numbers are for your convenience only.

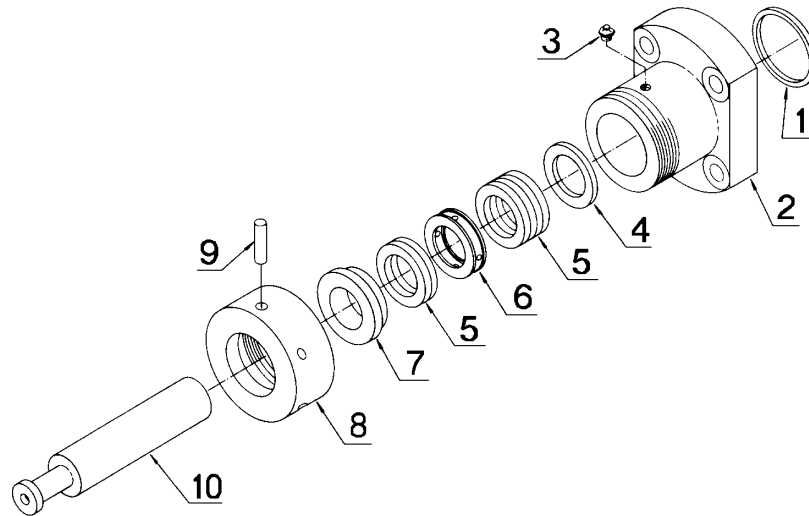


**STUFFING BOX, PLUNGER & PLUNGER PACKING (242 STYLE)
(For Medium Pressure Cast Aluminum Bronze Fluid Cylinder)**

Ref. No.	Name of Part	Qty.	MODEL TDDB_B		
			2-1/2" Part No.	2-1/4" Part No.	2" Part No.
1	GASKET, Stuffing Box	3	25AL39	25AL39	25AL39
2	STUFFING BOX	3	216TDD014	216TDD014	217TDD014
	PACKING ASSEMBLY (Incl. Ref. Nos. 3 & 4)	3	304TDD4060	305TDD4060	306TDD4060
3	PACKING (242 Style)	3	60DD717	60DD737	60DD738
4	BUSHING-GLAND	3	200TDD152	201TDD152	202TDD152
5	GLAND	3	PS113	PS113	PS113
6	PIN, Stuffing Box Gland	3	62L45	62L45	62L45
7	PLUNGER (Colomony)	3	12TA538	13TA538	14TA538
7	PLUNGER (Ceramic)	3	4TA538	5TA538	6TA538
7	PLUNGER (Tungsten Carbide)	3	207TFE038	208TFE038	209TFE038

Ref. No.	Name of Part	Qty.	MODEL TDDB_B
			1-3/4" Part No.
1	GASKET, Stuffing Box	3	25AL39
2	STUFFING BOX (Includes Ref. No. 3)	3	217TDD014
	PACKING ASSEMBLY (Incl. Ref. Nos. 3 & 4)	3	307TDD4060
3	PACKING (242 Style)	3	60DD720
4	BUSHING-GLAND	3	203TDD152
5	GLAND	3	PS113
6	PIN, Stuffing Box Gland	3	62L45
7	PLUNGER (Colomony)	3	15TA538
7	PLUNGER (Ceramic)	3	7TA538
7	PLUNGER (Tungsten Carbide)	3	210TFE038

Order by Part Number and Description. Reference Numbers are for your convenience only.

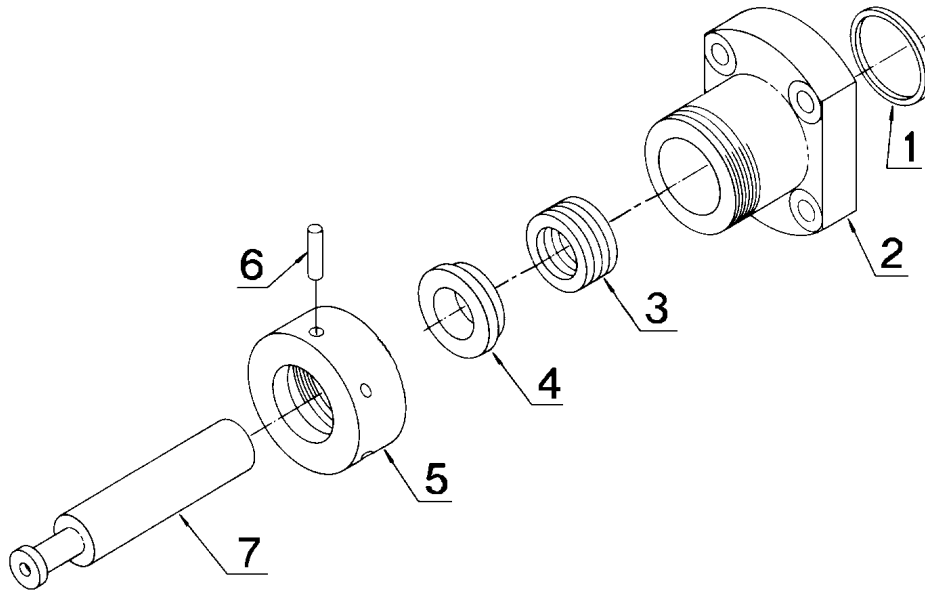


**STUFFING BOX, PLUNGER & PLUNGER PACKING (838 STYLE)
(For Low Pressure Cast Steel Fluid Cylinder)**

Ref. No.	Name of Part	Qty.	MODEL TDDC_B		
			3-1/2" Part No.	3-1/4" Part No.	3" Part No.
1	GASKET, Stuffing Box	3	25AL57	25AL57	25AL57
2	STUFFING BOX (Includes Ref. No. 3)	3	303TDD014	304TDD014	304TDD014
3	LUBRICATION FITTING	3	40E7	40E7	40E7
4	PACKING ASSEMBLY (Incl. Ref. Nos. 4 - 7)	3	PT160035	PT160032	PT160030
4	JUNK RING	3	PT31735	PT31732	PT31730
5	PACKING (838 Style)	3	60BU124	60BU125	60BU126
6	LANTERN SPACER	3	PT44535	PT44532	PT44530
7	BUSHING-GLAND	3	PT15235	PT15232	PT15230
8	GLAND	3	201TAD008	201TAD008	201TAD008
9	PIN, Stuffing Box Gland	3	62L45	62L45	62L45
10	PLUNGER (Colomony)	3	10TA538	30TA538	31TA538
10	PLUNGER (Ceramic)	3	2TA538	26TA538	27TA538
10	PLUNGER (Tungsten Carbide)	3	203TFE038	204TFE038	205TFE038

Ref. No.	Name of Part	Qty.	MODEL TDDC_B	
			2-3/4" Part No.	2-1/2" Part No.
1	GASKET, Stuffing Box	3	25AL57	25AL57
2	STUFFING BOX (Includes Ref. No. 3)	3	219TDD014	219TDD014
3	LUBRICATION FITTING	3	40E7	40E7
4	PACKING ASSEMBLY (Incl. Ref. Nos. 4 - 7)	3	PT160027	PT160025
4	JUNK RING	3	PS31727	PS31725
5	PACKING (838 Style)	3	60BU100	60BU101
6	LANTERN SPACER	3	PS44527	PS44525
7	BUSHING-GLAND	3	PT15227	PT15225
8	GLAND	3	201TAD008	201TAD008
9	PIN, Stuffing Box Gland	3	62L45	62L45
10	PLUNGER (Colomony)	3	11TA538	12TA538
10	PLUNGER (Ceramic)	3	3TA538	4TA538
10	PLUNGER (Tungsten Carbide)	3	206TFE038	207TFE038

Order by Part Number and Description. Reference Numbers are for your convenience only.



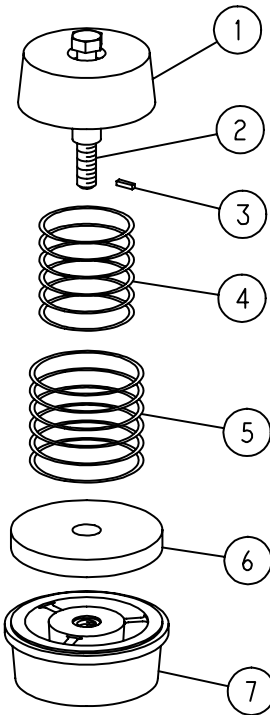
**STUFFING BOX, PLUNGER & PLUNGER PACKING (242 STYLE)
(For Low Pressure Cast Steel Fluid Cylinder)**

Ref. No.	Name of Part	Qty.	MODEL TDDC_B		
			3-1/2" Part No.	3-1/4" Part No.	3" Part No.
1	GASKET, Stuffing Box	3	25AL57	25AL57	25AL57
2	STUFFING BOX	3	305TDD014	306TDD014	306TDD014
	PACKING ASSEMBLY (Incl. Ref. Nos. 3 & 4)	3	203TAE4060	300TDD4060	301TDD4060
3	PACKING (242 Style)	3	60DD729	60DD730	60DD731
4	BUSHING-GLAND	3	PX15235	PT15232	PT15230
5	GLAND	3	201TAD008	201TAD008	201TAD008
6	PIN, Stuffing Box Gland	3	62L45	62L45	62L45
7	PLUNGER (Colomony)	3	10TA538	30TA538	31TA538
7	PLUNGER (Ceramic)	3	2TA538	26TA538	27TA538
7	PLUNGER (Tungsten Carbide)	3	203TFE038	204TFE038	205TFE038

Ref. No.	Name of Part	Qty.	MODEL TDDC_B	
			2-3/4" Part No.	2-1/2" Part No.
1	GASKET, Stuffing Box	3	25AL57	25AL57
2	STUFFING BOX (Includes Ref. No. 3)	3	307TDD014	307TDD014
	PACKING ASSEMBLY (Incl. Ref. Nos. 3 & 4)	3	302TDD4060	303TDD4060
3	PACKING (242 Style)	3	60DD670	60DD642
4	BUSHING-GLAND	3	PT15227	PT15225
5	GLAND	3	201TAD008	201TAD008
6	PIN, Stuffing Box Gland	3	62L45	62L45
7	PLUNGER (Colomony)	3	11TA538	12TA538
7	PLUNGER (Ceramic)	3	3TA538	4TA538
7	PLUNGER (Tungsten Carbide)	3	206TFE038	207TFE038

Order by Part Number and Description. Reference Numbers are for your convenience only.

**DELTRIN PLATE VALVES FOR LOW PRESSURE
CAST ALUMINUM BRONZE & CAST STEEL FLUID CYLINDER
MODEL: TDDA / TDDC**



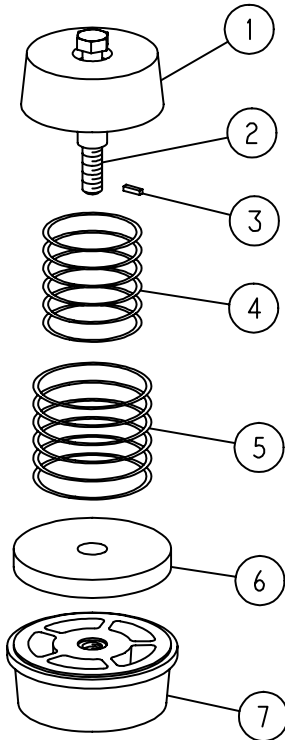
**310TEE810
(Ref. Drawing)**

Ref. No.	Name Of Part	Qty. Req. Per Pump	DELTRIN DISC			TITANIUM DISC
			ALUMINUM BRONZE SEAT & RETAINER	STAINLESS STEEL SEAT & RETAINER	MONEL SEAT & RETAINER	STAINLESS STEEL SEAT & RETAINER
			PART NO.	PART NO.	PART NO.	PART NO.
	SUCTION VALVE					
	FLUID VALVE					
	Incl. Ref. Nos. 1 thru 7	3	200VLM482	201VLM482	202VLM482	202TDD482
1	RETAINER	3	2010585	2010586	2010587	2116651
2	FASTENER	3	2010598	2010598	2010598	2010598
3	PLUG-LOCK, THREAD	3	2010602	2010602	2010602	2010602
4	SPRING (INNER)	3	2010605	2010605	2010605	2010605
5	SPRING (OUTER)	3	2010608	2010608	2010608	2010608
6	PLATE-VALVE	3	2115987	2115987	2115987	2116652
7	SEAT-VALVE	3	2115988	2115989	2115990	2115989
	DISCHARGE VALVE					
	FLUID VALVE					
	Incl. Ref. Nos. 1 thru 7	3	210VLN482	211VLN482	212VLN482	203TDD482
1	RETAINER	3	2010585	2010586	2010587	2116651
2	FASTENER	3	2010598	2010598	2010598	2010598
3	PLUG-LOCK, THREAD	3	2010602	2010602	2010602	2010602
4	SPRING (INNER)	3	2010605	2010605	2010605	2010605
5	SPRING (OUTER)	3	2010608	2010608	2010608	2010608
6	PLATE-VALVE	3	2115987	2115987	2115987	2116652
7	SEAT-VALVE	3	2115991	2115992	2115993	2115992

For PULLER GROUPS see pages 22 through 25.

Order by Part Number and Description. Reference Numbers are for your convenience only.

**DELTRIN PLATE VALVES FOR MEDIUM PRESSURE
CAST ALUMINUM BRONZE FLUID CYLINDER
MODEL: TDDB**



**311TEE810
(Ref. Drawing)**

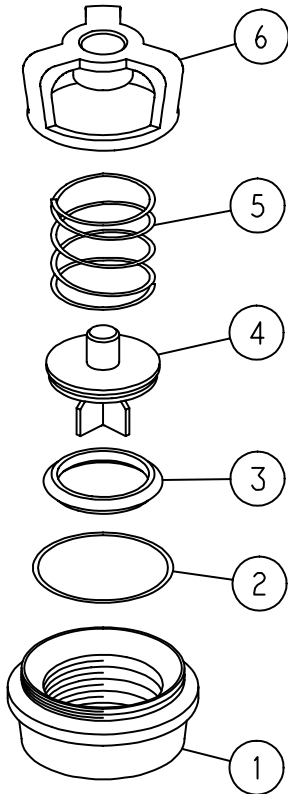
Ref. No.	Name Of Part	Qty. Req. Per Pump	DELTRIN DISC			TITANIUM DISC STAINLESS STEEL SEAT & RETAINER
			ALUMINUM BRONZE SEAT & RETAINER	STAINLESS STEEL SEAT & RETAINER	MONEL SEAT & RETAINER	
	SUCTION VALVE		PART NO.	PART NO.	PART NO.	PART NO.
	FLUID VALVE					
	Incl. Ref. Nos. 1 thru 7	3	210QBX482	212QBX482	214QBX482	216QBX482
1	RETAINER	3	2010588	2010828	2116249	2116653
2	FASTENER	3	2010599	2010599	2010599	2010599
3	PLUG-LOCK, THREAD	3	2010602	2010602	2010602	2010602
4	SPRING (INNER)	3	2116348	2116348	2116348	2116348
5	SPRING (OUTER)	3	2010606	2010606	2010606	2010606
6	PLATE-VALVE	3	2116146	2116146	2116146	2116654
7	SEAT-VALVE	3	2116148	2116247	2116250	2116247
	DISCHARGE VALVE		PART NO.	PART NO.	PART NO.	PART NO.
	FLUID VALVE					
	Incl. Ref. Nos. 1 thru 7	3	211QBX482	213QBX482	215QBX482	217QBX482
1	RETAINER	3	2010588	2010828	2116249	2116653
2	FASTENER	3	2010599	2010599	2010599	2010599
3	PLUG-LOCK, THREAD	3	2010602	2010602	2010602	2010602
4	SPRING (INNER)	3	2116348	2116348	2116348	2116348
5	SPRING (OUTER)	3	2010606	2010606	2010606	2010606
6	PLATE-VALVE	3	2116146	2116146	2116146	2116654
7	SEAT-VALVE	3	2116147	2116248	2116251	2116248

For PULLER GROUPS see pages 22 through 25.

Order by Part Number and Description. Reference Numbers are for your convenience only.

**STAINLESS STEEL SEVERE DUTY SUCTION VALVE
LOW PRESSURE CAST ALUMINUM BRONZE FLUID CYLINDER**

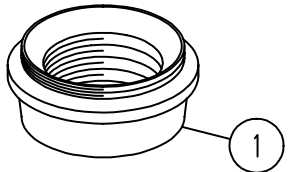
MODEL – TDDA



Ref. No.	Name of Part	Qty.	Part No.
	STAINLESS STEEL SUCTION VALVE	1	200TDD482
1	VALVE SEAT	3	2116518
2	O-RING	3	2116520
3	INSERT	3	2116521
4	VALVE	3	2116522
5	SPRING	3	2116523
6	CAGE	3	2116524

**STAINLESS STEEL SEVERE DUTY DISCHARGE VALVE
LOW PRESSURE CAST ALUMINUM BRONZE FLUID CYLINDER**

MODEL – TDDA



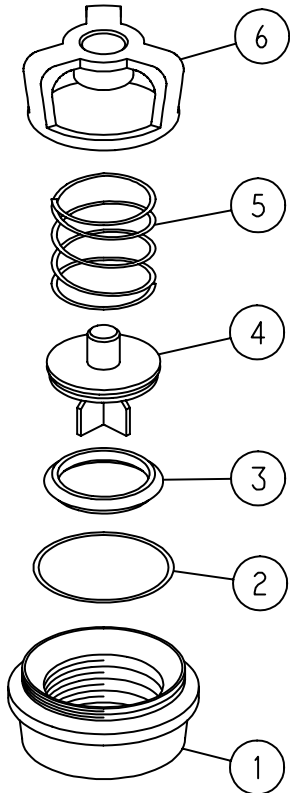
Ref. No.	Name of Part	Qty.	Part No.
	STAINLESS STEEL DISCHARGE VALVE	1	201TDD482
1	VALVE SEAT	3	2116519
2	O-RING	3	2116520
3	INSERT	3	2116521
4	VALVE	3	2116522
5	SPRING	3	2116523
6	CAGE	3	2116524

**312TEE810
(Ref. Drawing)**

Order by Part Number and Description. Reference Numbers are for your convenience only.

**STAINLESS STEEL SEVERE DUTY SUCTION VALVE
MEDIUM PRESSURE CAST ALUMINUM BRONZE FLUID CYLINDER**

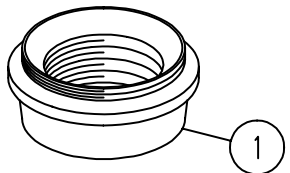
MODEL – TDDB



Ref. No.	Name of Part	Qty.	Part No.
	STAINLESS STEEL SUCTION VALVE	1	218QBX482
1	VALVE SEAT	3	2116512
2	O-RING	3	2116219
3	INSERT	3	2116220
4	VALVE	3	2116354
5	SPRING	3	2116222
6	CAGE	3	2116223

**STAINLESS STEEL SEVERE DUTY DISCHARGE VALVE
MEDIUM PRESSURE CAST ALUMINUM BRONZE FLUID CYLINDER**

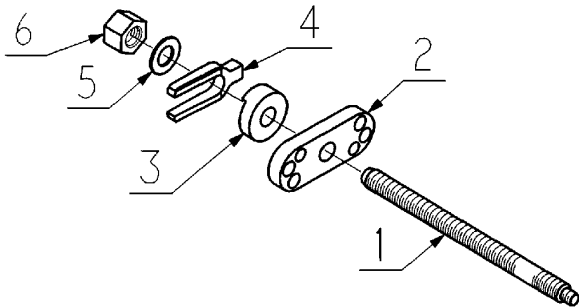
MODEL – TDDB



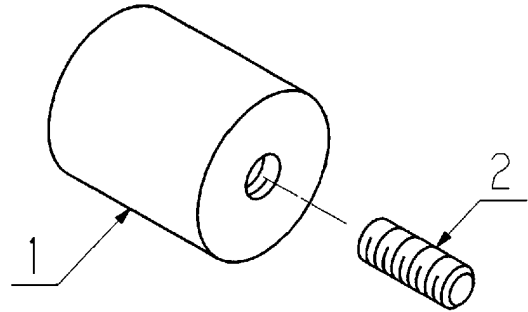
Ref. No.	Name of Part	Qty.	Part No.
	STAINLESS STEEL DISCHARGE VALVE	1	219QBX482
1	VALVE SEAT	3	2116513
2	O-RING	3	2116219
3	INSERT	3	2116220
4	VALVE	3	2116354
5	SPRING	3	2116222
6	CAGE	3	2116223

**312TEE810
(Ref. Drawing)**

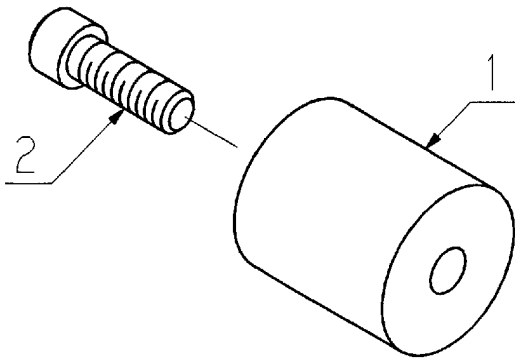
**OPTIONAL EQUIPMENT
VALVE TOOLS**



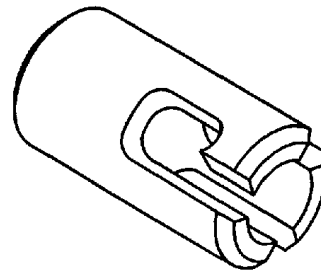
ROD ASSEMBLY



STANDARD DUTY – STUD TYPE



HEAVY DUTY – BOLT TYPE



HEAVY DUTY – J-TYPE

Order by Part Number and Description. Reference Numbers are for your convenience only.

OPTIONAL EQUIPMENT

VALVE TOOLS

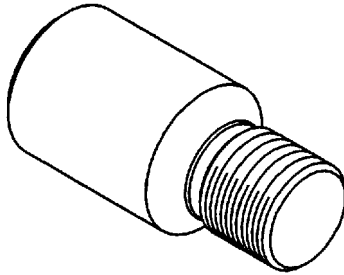
Ref. No.	Name of Part	TDDA/TDDC Part No.	TDDB Part No.
VALVE SEAT – PULLER ROD ASSEMBLY			
ROD ASSEMBLY (FOR USE WITH ALL PULLER HEADS)			
	COMPLETE ASSEMBLY	QBX91108	QBX91108
1	ROD-PULLER	200QBX193	200QBX193
2	PLATE PULLER	200QBX340	200QBX340
3	WASHER	200TAE244	200TAE244
4	WEDGE	200TAE091	200TAE091
5	WASHER-PLAIN	95U14	95U14
6	NUT	200TAE086	200TAE086

PULLER HEADS – DELRIN PLATE TYPE VALVES

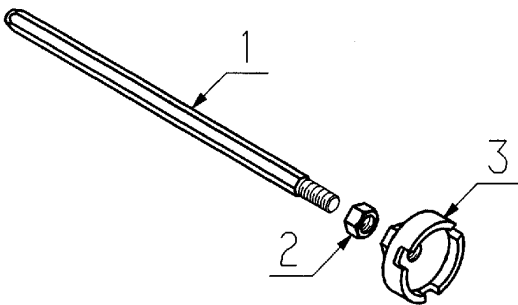
STANDARD DUTY – STUD TYPE			
	COMPLETE ASSEMBLY		205TAE219A
1	PULLER HEAD	204TAE219	205TAE219
2	STUD	79L106	79L110
HEAVY DUTY – BOLT TYPE			
	COMPLETE ASSEMBLY	QBX91110	QBX91109
1	PULLER HEAD	201QBX219	200QBX219
2	BOLT	75P76	75P56
HEAVY DUTY – J TYPE			
	PULLER HEAD	100E6	

OPTIONAL EQUIPMENT

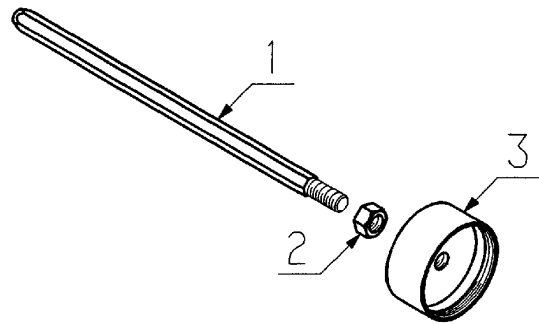
VALVE TOOLS



THREADED TYPE



VALVE CAGE TOOL



VALVE SEAT DRIVER

Order by Part Number and Description. Reference Numbers are for your convenience only.

OPTIONAL EQUIPMENT

VALVE TOOLS

Ref. No.	Name of Part	TDDA/TDDC Part No.	TDDB Part No.
-------------	--------------	-----------------------	------------------

PULLER HEADS – SEVERE DUTY VALVES

THREADED TYPE

PULLER HEAD	214QBX219	204QBX219
-------------------	-----------	-----------

VALVE CAGE REMOVAL/INSTALLATION TOOLS

VALVE CAGE TOOL

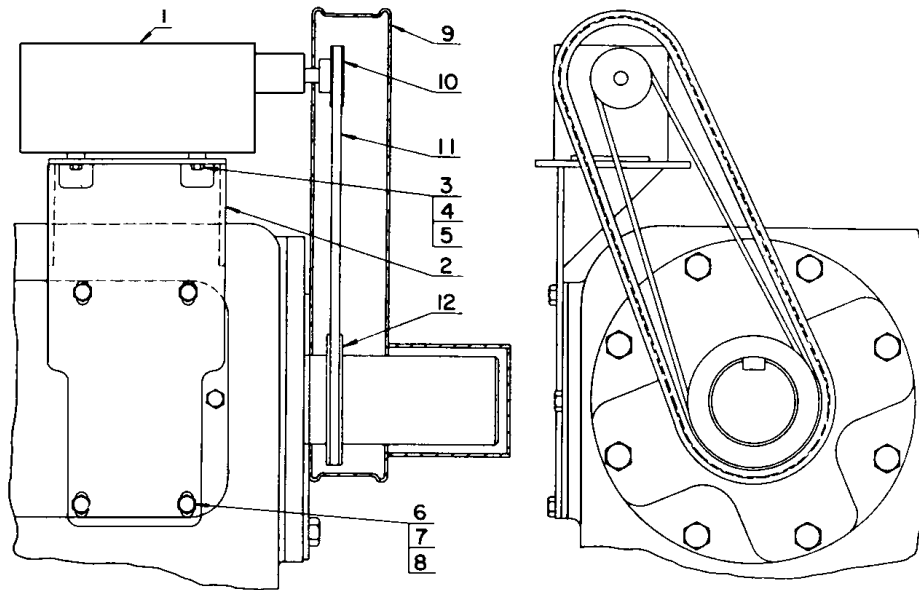
	COMPLETE ASSEMBLY	QBX91111	200TDD4048
1	HANDLE	200QBX345	200QBX345
2	NUT	50B8	50B8
3	CAGE WRENCH	215QBX933	214QBX933

VALVE SEAT DRIVER TOOLS – SEVERE DUTY VALVES

VALVE SEAT DRIVER

	COMPLETE ASSEMBLY	200TDD4046	201TDD4046
1	HANDLE	200QBX345	200QBX345
2	NUT	50B8	50B8
3	DRIVER TOOL	209QBX933	205QBX933

Order by Part Number and Description. Reference Numbers are for your convenience only.



C74246

**LUBRICATOR & DRIVE ASSEMBLY
(OPTIONAL EQUIPMENT)**

Ref. No.	Name of Part	Qty.	838 Packing TDD_B Part No.	242 Packing TDD_B Part No.
1	LUBRICATOR	1	40G100	40G100
2	BRACKET-LUBRICATOR	1	200TDD403	200TDD403
3	SCREW	4	75A10	75A10
4	WASHER	4	95A2	95A2
5	LOCKWASHER	4	95B2	95B2
6	SCREW	4	655EE050	655EE050
7	WASHER	4	95A5	95A5
8	LOCKWASHER, Bracket to Frame	4	95B5	95B5
9	GUARD-AUXILIARY	1	200TDD240	200TDD240
10	SHEAVE, LUBRICATOR	1	73A628	73A628
11	BELT	1	13C13	13C13
12	AUXILIARY SHEAVE	1	200TDD195	200TDD195
*	SCREW, Guard to Pump	3	655EG080	655EG080
*	WASHER, Guard to Pump	3	95A8	95A8
*	TUBE, Lubricator to Stuffing Box	168"	85E4A	85E4A
*	VALVE-CHECK	3	90AR373	—
*	ELBOW-TUBE, 90°	3	86A25	86A25
*	COUPLING	3	64BK1	—
*	NIPPLE	3	63C1	—
*	FITTING-TUBE	3	—	86A61
*	CLAMP	3	—	159378
*	SCREW	6	—	2009368

* Not Shown.

北京

信德迈科技(北京)有限公司CNMEC Technology

北京朝阳区胜古中路2号金基业大厦201室

邮编：100029

电话：010-8428 2935 13910962635

传真：010-8428 8762

主页：[//www.cnmec.biz](http://www.cnmec.biz)

电子邮件：sales@cnmec.biz

西安

西安嘉岳自动化技术有限公司Garye Automation

地址：西安经开区凤城二路天地时代广场B座23层22312室

邮编：710016

电话：029 - 8610 8648 15319759129

传真：029 - 8610 6806

主页：<http://www.garye.cn>

电子邮件：sales@garye.cn

Gardner
Denver

For additional information contact your local representative or
Gardner Denver Machinery Inc., Customer Service Department,
1800 Gardner Expressway, Quincy, Illinois 62301
Telephone: (800) 682-9868 FAX: (217) 224-7814



Sales and Service in all major cities.

For parts information, contact Gardner Denver,
Master Distribution Center, Memphis, TN
Telephone: (800) 245-4946 FAX: (901) 542-6159

Specifications subject to change without notice.
Copyright 1997 Gardner Denver Machinery Inc.

Litho in U.S.A.